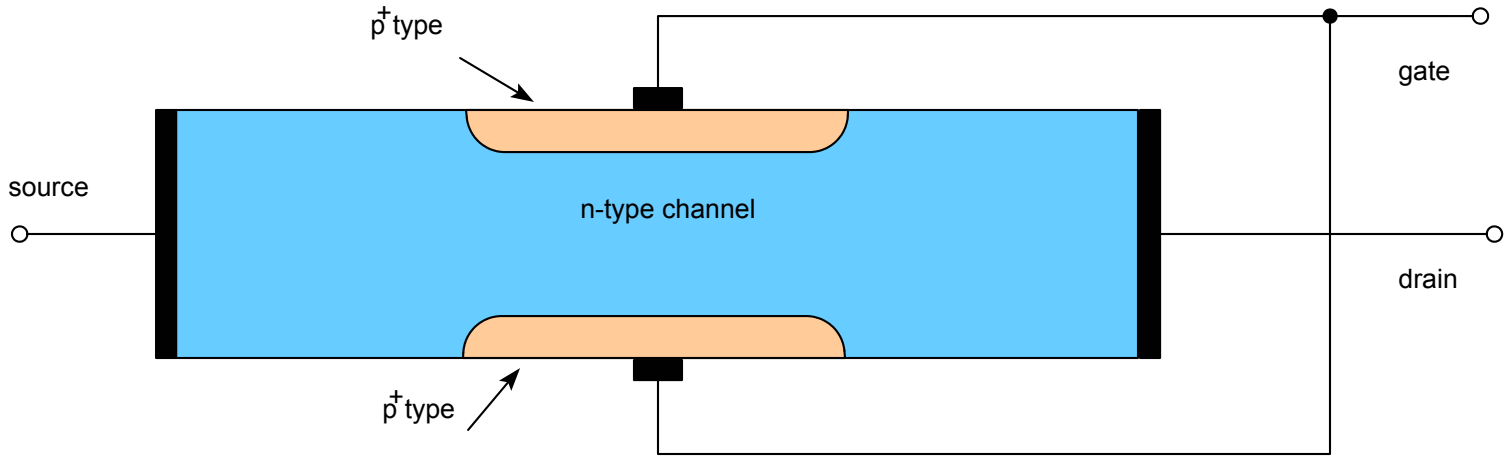
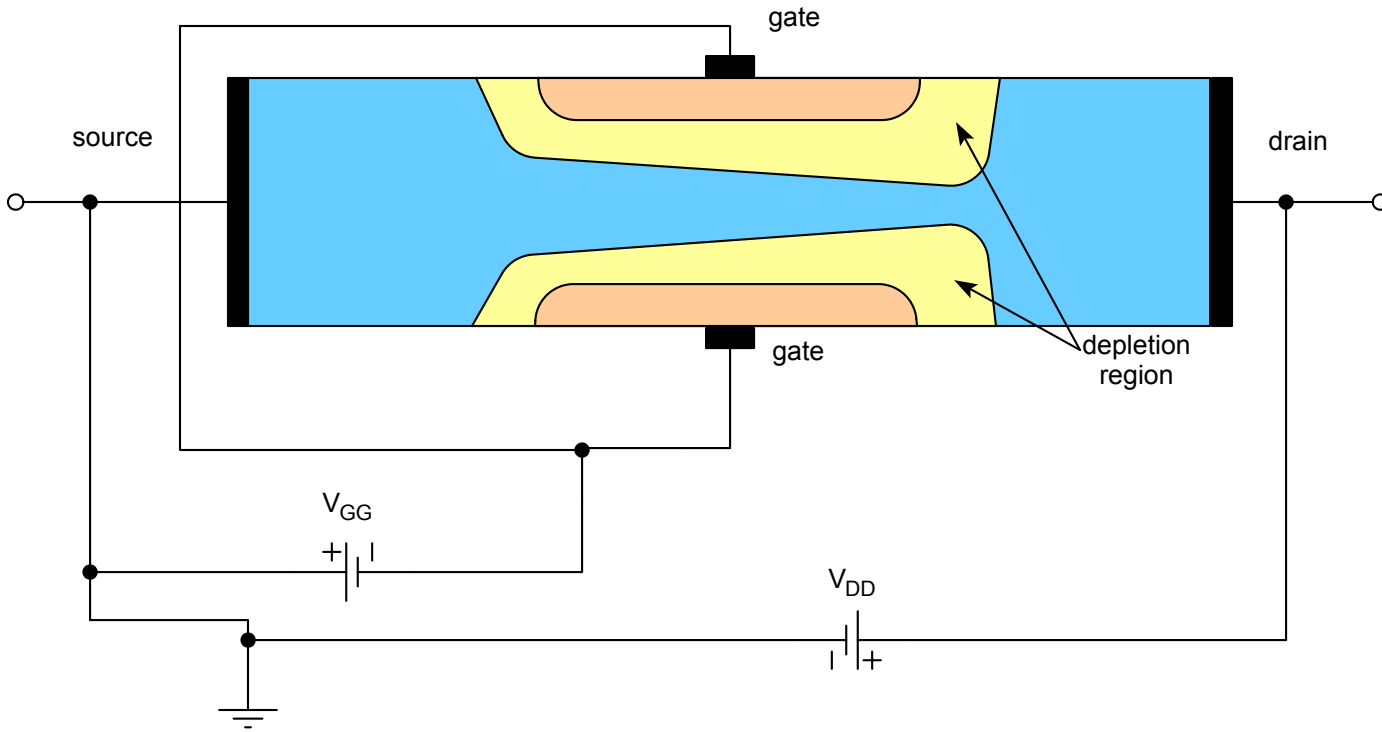


LAST REVISED ON	REVISED BY
2007-08-16 21:57:51	T. J. Peters

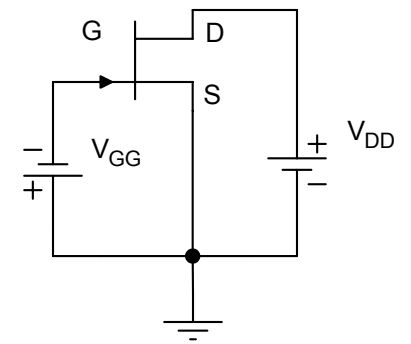
Unbiased n-Channel JFET



Biased n-Channel JFET



equivalent circuit



TOPANGA SOFTWARE	
NUMBER	SHEET
800003	1 of 1
DESCRIPTION	
JFET	

Produced by SchematicMaker